

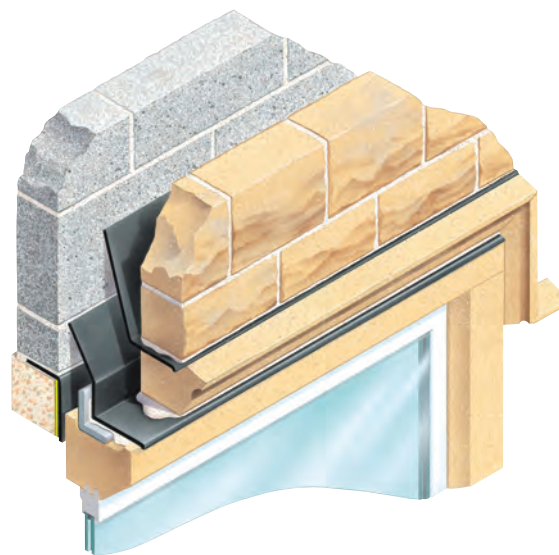
Specifications

Product name - group	Type Y Stone Mullion Assembly Cavitytray
Cavity widths accommodated	Up to 150mm
Dimensions	Tray 1 profile 120mm x 200mm
	Tray 2 profile 105mm x 110mm
	Tray 3 profile 30mm x 125mm
	Dimensions vary pending make / style of mullion.
Bespoke options	Yes
Traditional construction compatible	Yes
Timber frame construction compatible	Yes
New work applications	Yes
Retrofit applications	Yes
Masonry skin styles	Most regular styles
Undulating masonry faces	Normally compatible
Curved wall on plan applications	Some bespoke options offered
Arrested water evacuation	Via discreet Caviweeps in perp joints
Thermal transmission of material	Bonded thermal break optional
Material	Tray Polypropylene DPC
Insulation	Phenolic foam class O
Colour	Black
Extrudes / compresses under load	No
Pack size	Available individually
CFC	CFC Free
ODP	Zero
Regulation compliance	Yes can be used to satisfy arrestment
May be used if cavity insulation present?	Does not affect functionality
CAD downloads	Yes
Design considerations	Visual lip recommended as it protects bedding course but some specifiers elect to use a non-lipped version so protection is not evident.

TYPE Y

Stone Mullion Assembly Cavitytray

- Preformed for immediate use
- Packaged per opening
- Consistent detail with regulation compliance
- Different cavity widths accommodated



Use

To protect mullion window assembly from damp penetration.

Solution

Manufactured from polypropylene and preformed to shape, a total of three Cavitytrays are required to maintain damp course integrity across the window head of a mullion window assembly.

1. At the highest level bedded on the decorative label-mould (string-course) is the first Cavitytray. Its purpose is to act as an arresting barrier. It receives water from the masonry above and discharges it via Caviweeps positioned at the extended tray ends – well clear of the side mullions.

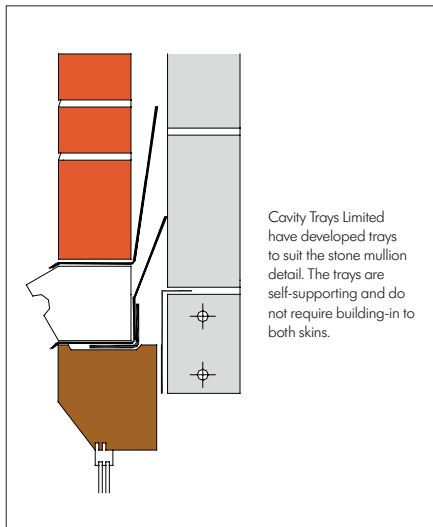
2. The second Cavitytray is shaped to rest and bed into the supporting metal angle that provides the load bearing qualities to the assembly. There is very little cavity water at this level, the majority having been stopped by the first tray.

3. The third Cavitytray provides a vertical barrier between the lintel on the inside skin and the mullion head. This third tray is commonly supplied with an insulation layer bonded to one surface to minimise thermal transmittance at this point of convergence.

Type Y Cavitytray protection is available to suit all styles of stone and reconstructed stone mullions.

How to Order

We will take-off and schedule your requirements and submit for your consideration.



Designers' Comments

Be aware if using reclaimed mullions. The original BS 6073 made no reference to the maximum water absorption requirements of synthetic stone and consequently standards of manufacture and performance varied considerably. BS 1217 introduced limitations and performance improved. Reclaimed mullions can vary considerably in terms of water absorption and corresponding rates of saturation. Where the amount of masonry rising above a mullion is extensive, always consider the potential water penetration volume gravitating downwardly in the cavity.



Bill of Quantity / Specification Wording

F30 -Clause 370 Preformed Cavity Trays

Manufacturer: Cavity Trays Ltd, Yeovil Somerset BA22 8HU
Tel: 01935 474769

Type Y Cavitytray 3-part Assembly be installed at the heads of mullion windows to act as barrier DPC and arrest penetrating water. Build in carefully observing manufacturers' instructions to ensure watertight installation. Number of mullion openings _____.