

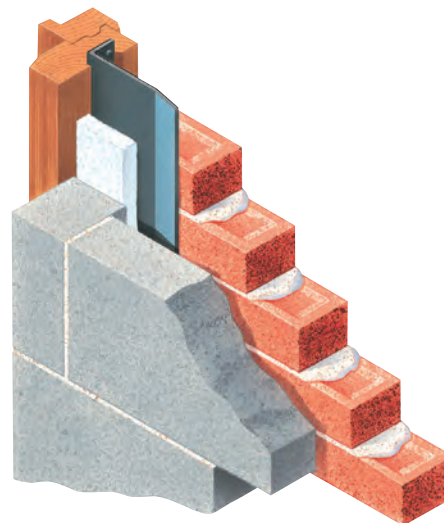
## Specifications

Product name - group	Type D Damp-Proof Course - Vertical DPC & Insulator
Exposure Rating	Severe / Very Severe pending profile
Cavity - Standard Sizes Accommodated	Profiles available to suit all cavity dimensions
Special Cavity Widths Accommodated	Yes – all dimensions variable
Straight Reveals	Yes - build in profile as supplied
Checked Reveals	Yes - see illustrated version / style
Product Lengths	2.4m
Acts as Vertical DPC	Yes
Acts as Insulator	Yes
Permits Different Frame Positions	Yes
Frames Fitted as Work Proceeds or Later	Build in when wall is raised
Timber Frame / Traditional Construction	Both styles accommodated
Masonry Skin Styles	All popular flat faced masonry
Undulating Masonry Face Finishes	Seek advice providing details of material
Fire Rated	No (see Cavi prefixed range for fire rated)
Vertical and Horizontal Applications	Vertical. Horizontal versions to order
Compatible with other Cavity Wall Elements	No identified restrictions
Securing Ties Supplied	N/A
Pack Sizes	x10 lengths
Weight per pack	Dependent on profile. Average pack 8kg
Material	Polypropylene DPC + polystyrene insorkofoam
Colour	Black with white insulator
Building Regulations	Yes regulations can be satisfied
NHBC	Yes requirements can be satisfied
'K' Value of Insulation	0.038W/mK
CFC Free	Yes + zero ODP
Possible Composite Thermal Resistance Path	0.89 m <sup>2</sup> K/W (25mm) 1.55 m <sup>2</sup> K/W (50mm)
CAD Drawing Downloads Available	Yes

## TYPE D

### Damp-Proof Course

- Vertical damp-proof course
- Vertical insulator
- Robust and self-supporting - cannot sag
- Eliminates danger of mortar bridging
- Conventional build or attach to frame



### Requirement

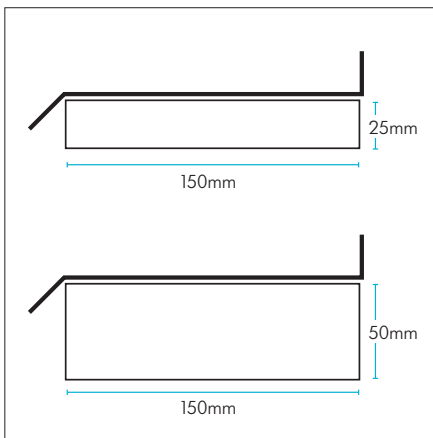
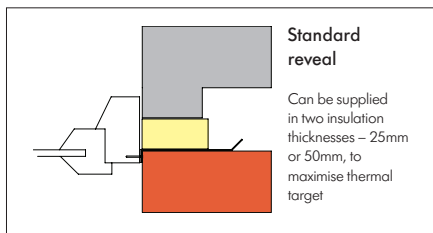
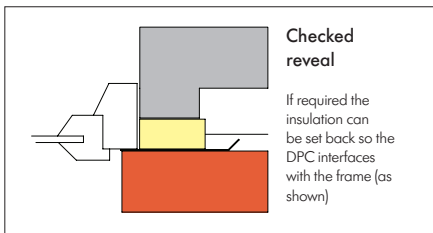
To provide a vertical dpc and thermal break when closing a reveal in the traditional manner by returning the inner masonry skin.

## Solution

If the masonry forming the cavity wall reveal is to be returned in the traditional manner, the preformed Type D Damp-Proof Course can be deployed to provide the requisite DPC protection and thermal break now sought to satisfy regulation requirements. Being ready-shaped and available in almost any profile, the Type D introduces consistency of the intended construction detail. Thus distortion or misplacement associated with conventional DPC is eliminated.

## References

- Investigating Rainwater Penetration of Modern Buildings (Masonry 129)
- Building Regulations Part L
- British Standard 5628-3
- BRE Thermal Insulation Avoiding Risks
- Website: [cavitytraystandards.co.uk](http://cavitytraystandards.co.uk)
- Robust Details
- Scottish Tech Standards Part D



## Designers' Comments

Rigid profile Type D Damp-Proof Course does not sag or distort like roll DPC. This benefits positive positioning and a consistent build detail.

## Bill of Quantity / Specification Wording

F30 Accessories / sundry items for brick / block / stone walling  
180 Cavity Closers

Manufacturer: Cavity Trays Ltd, Yeovil Somerset BA22 8HU Tel: 01935 474769

Type D / Type DIP Damp Proof Course to vertically close traditionally built reveals at window and door openings. Build in carefully observing manufacturers' instructions to ensure correct installation. (2400mm lengths). Metres run \_\_\_\_\_.